

Design Blind - Twin Type



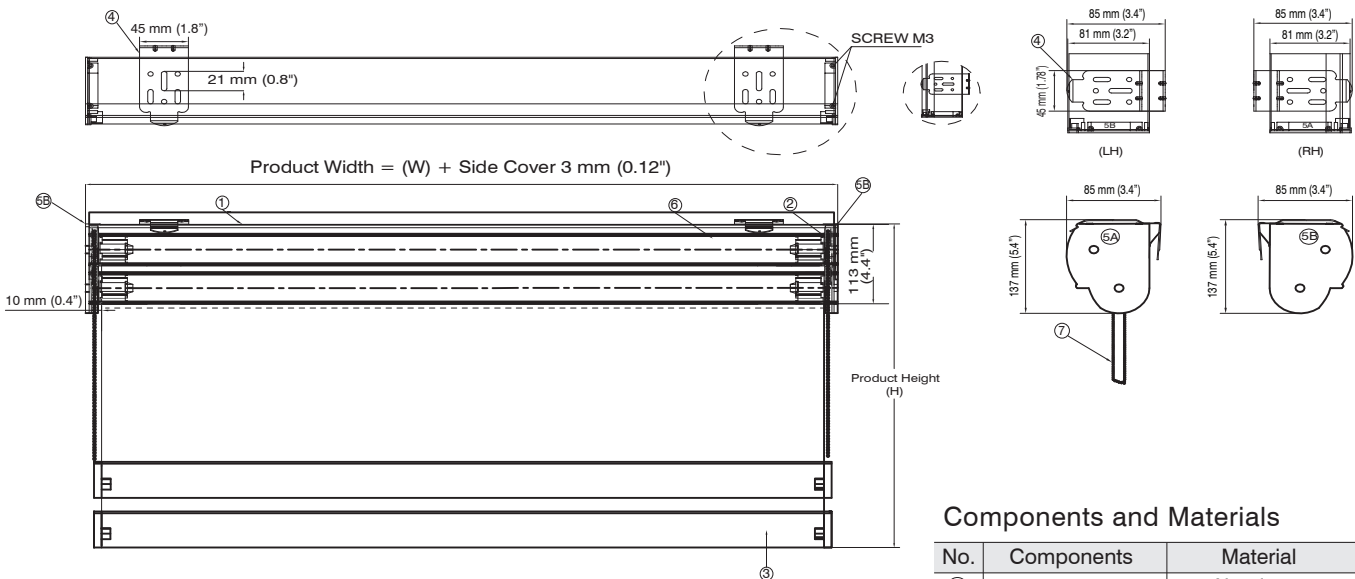
Twin Blind

- The Roller and Zebra are in the same valance creating extra ordinary light control light and effect.
- Okapi or Frozen Square can be combined with the roller.
- The dual fabric create a tuning effect.



The combination of Roller Blind with a 3D Blind structure is possible in a compact space.
The design possibilities due to multiple combinations.

Structure drawing - Twin blind



Components and Materials

No.	Components	Material
①	Head Rail	Aluminum
②	Clutch	Polyacetal resin
③	Bottom Bar	Aluminum
④	Bracket	Steel
⑤	5A- Side End cap 5B- Side End cap	Polyacetal resin
⑥	Tube	Aluminum
⑦	Cord	Polyester